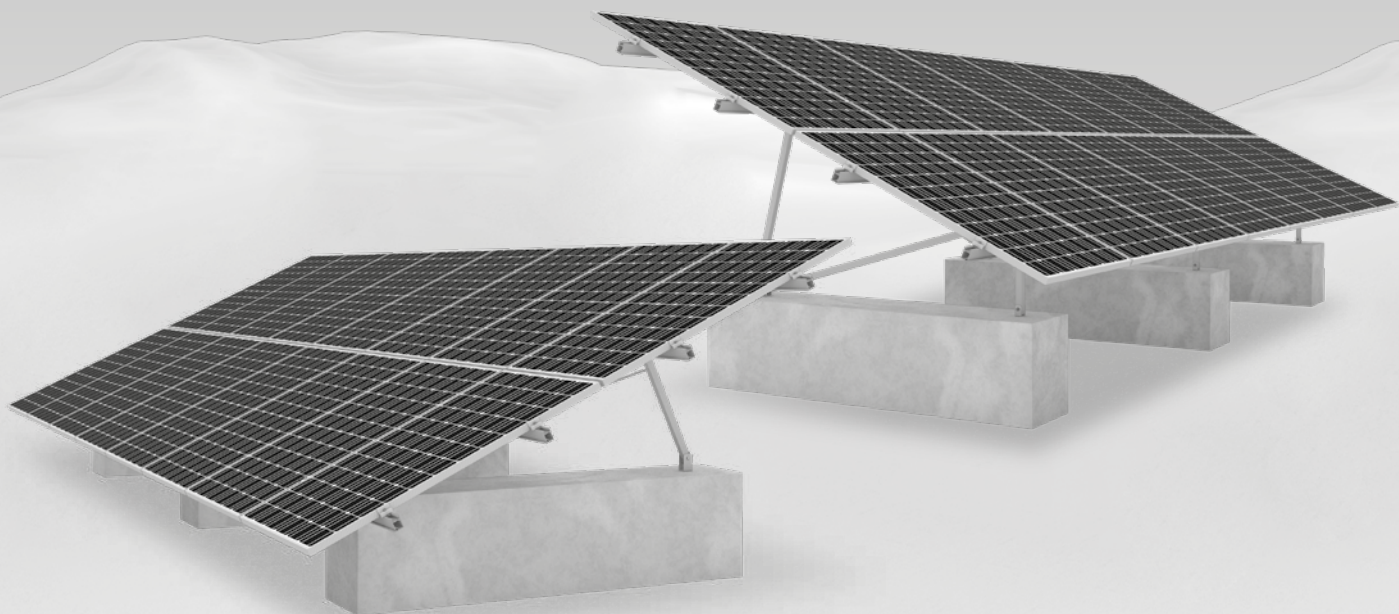


GROUND MOUNTED SYSTEMS

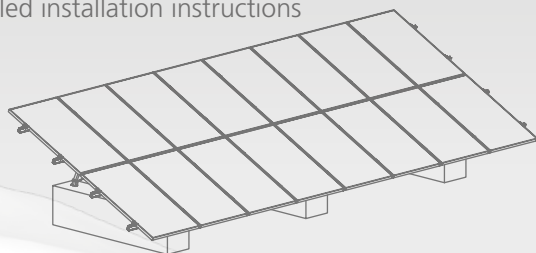


A-Rack and P-Rack System

SOLUTION FOR QUICK SMALL INSTALLATIONS

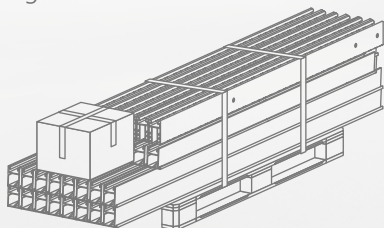
16 modules

- ▶ No planning required
- ▶ Suitable for most ground and module types
- ▶ Complete ready-to-assemble system with detailed installation instructions



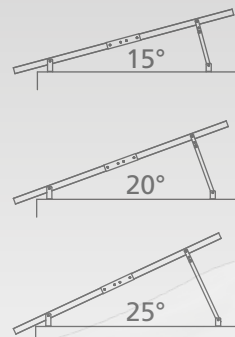
Complete ready-to-ship assembly kits

- ▶ All components in one package
- ▶ Suitable for pickup vehicle transport
- ▶ Maximum rail length 1.9 m
- ▶ A-Rack: 84 kg
- ▶ P-Rack: 93 kg



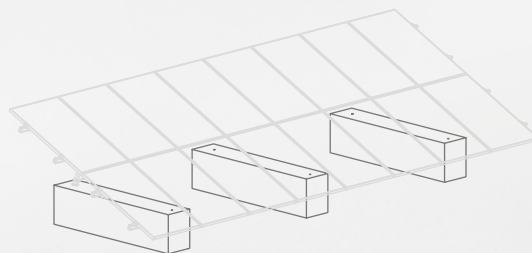
15°, 20° and 25° elevations

- ▶ Various elevations allow flexible use by cutting support strut
- ▶ P-Rack: With increased elevation for storage space



Own foundations

- ▶ Foundation constructed on-site
- ▶ With detailed reinforcement plan



Our A- and P-Rack ground mounted systems are the ideal solution for small installations and off-grid projects that need to be built quickly and efficiently. Ready-to-assemble systems are equipped with all the necessary components.

Both systems are suitable for standard modules. They can be mounted with 15°, 20° or 25° elevations. The support beam must only be shortened for modules with 15° and 20° elevations. Mounting holes are provided for all elevations.

All necessary connectors, small components, as well as universal module clamps are included.

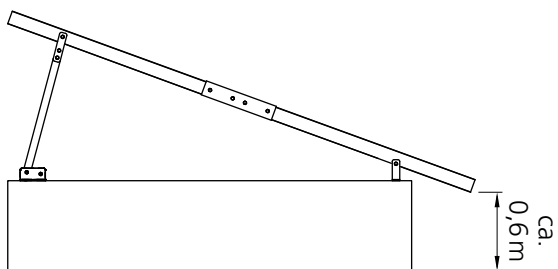
Stock item
now
available!

P-Rack

A-Rack

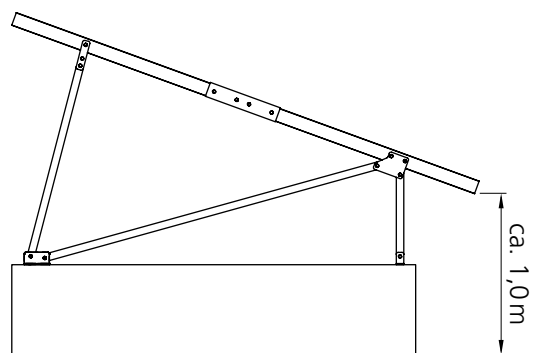
A-RACK

15°, 20° + 25°



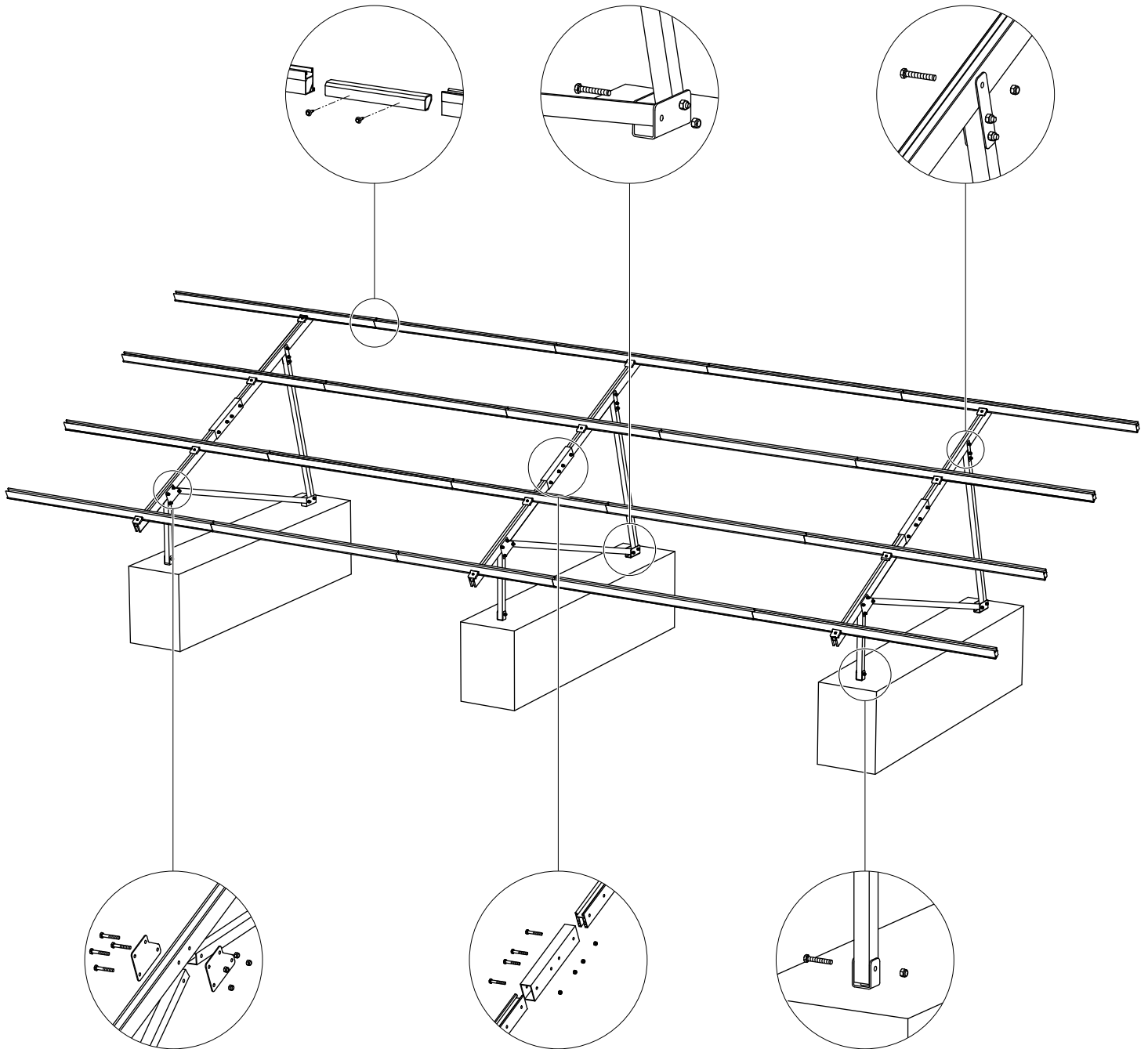
P-RACK

15°, 20° + 25°



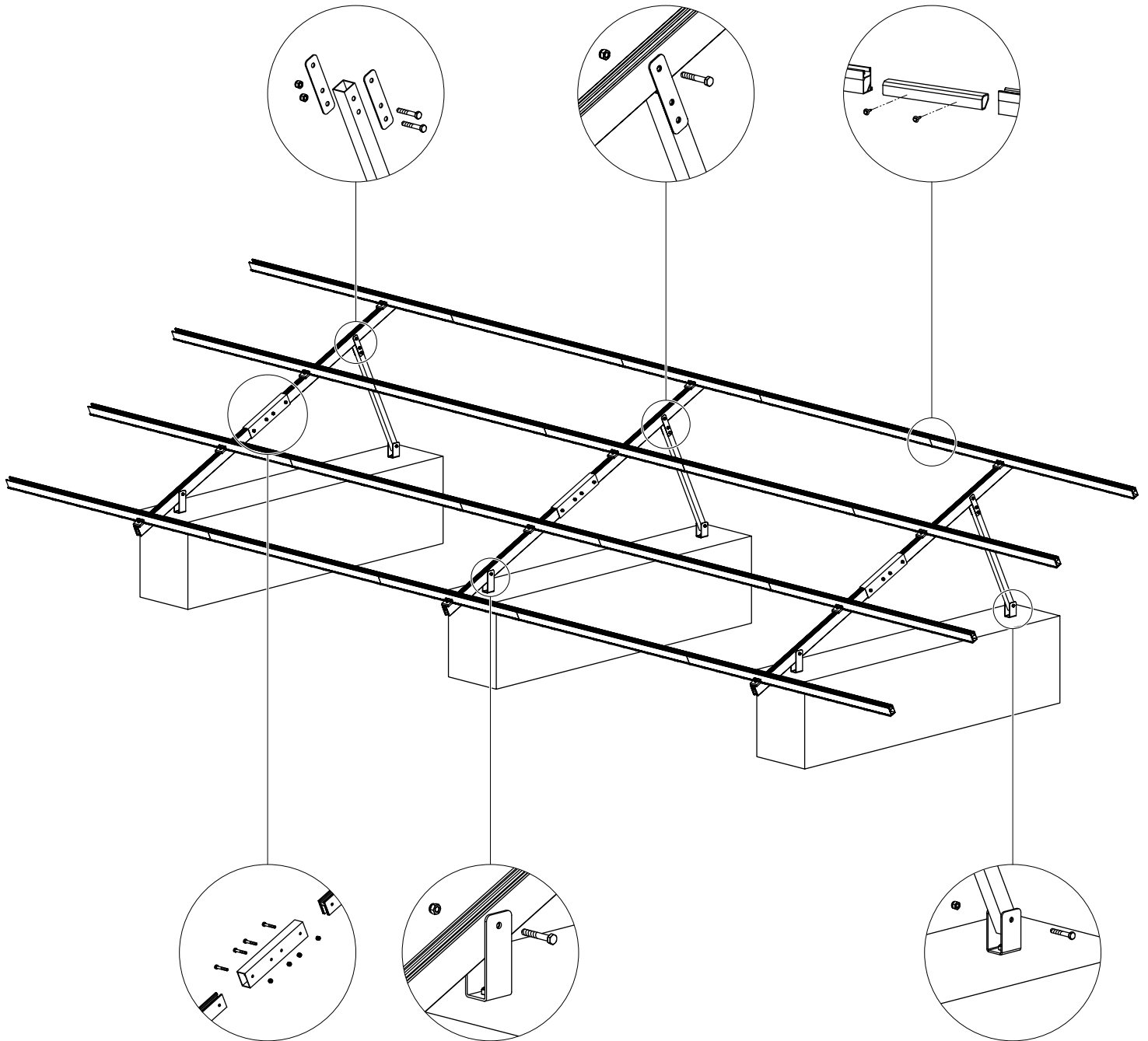
User-friendly installation

P-RACK SYSTEM



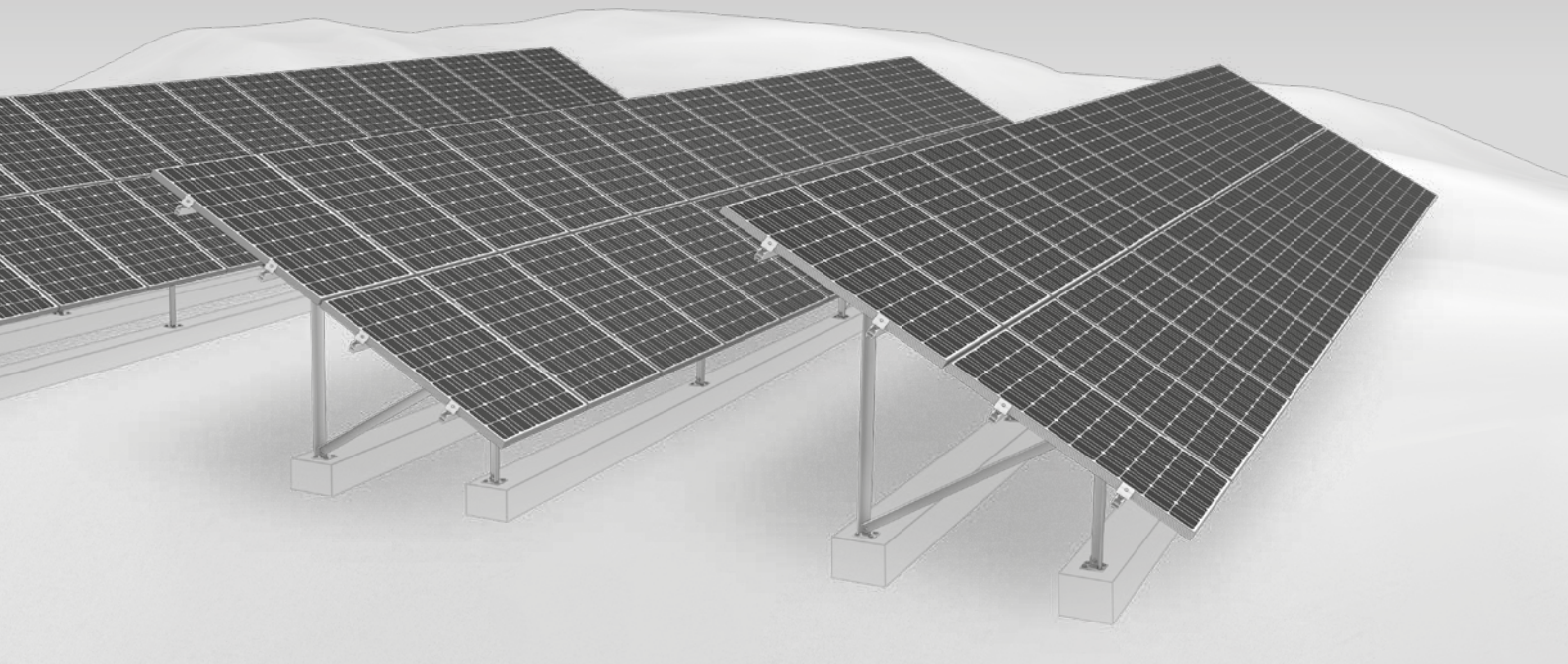
The necessary concrete foundations should be constructed on-site with a detailed reinforcement plan. Commercially available concrete products can be used for this purpose.

A-RACK SYSTEM

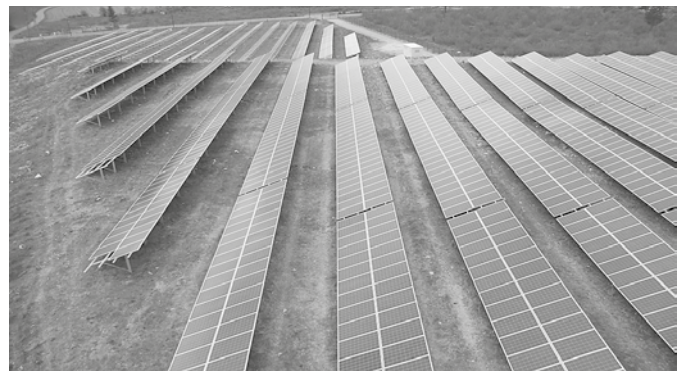
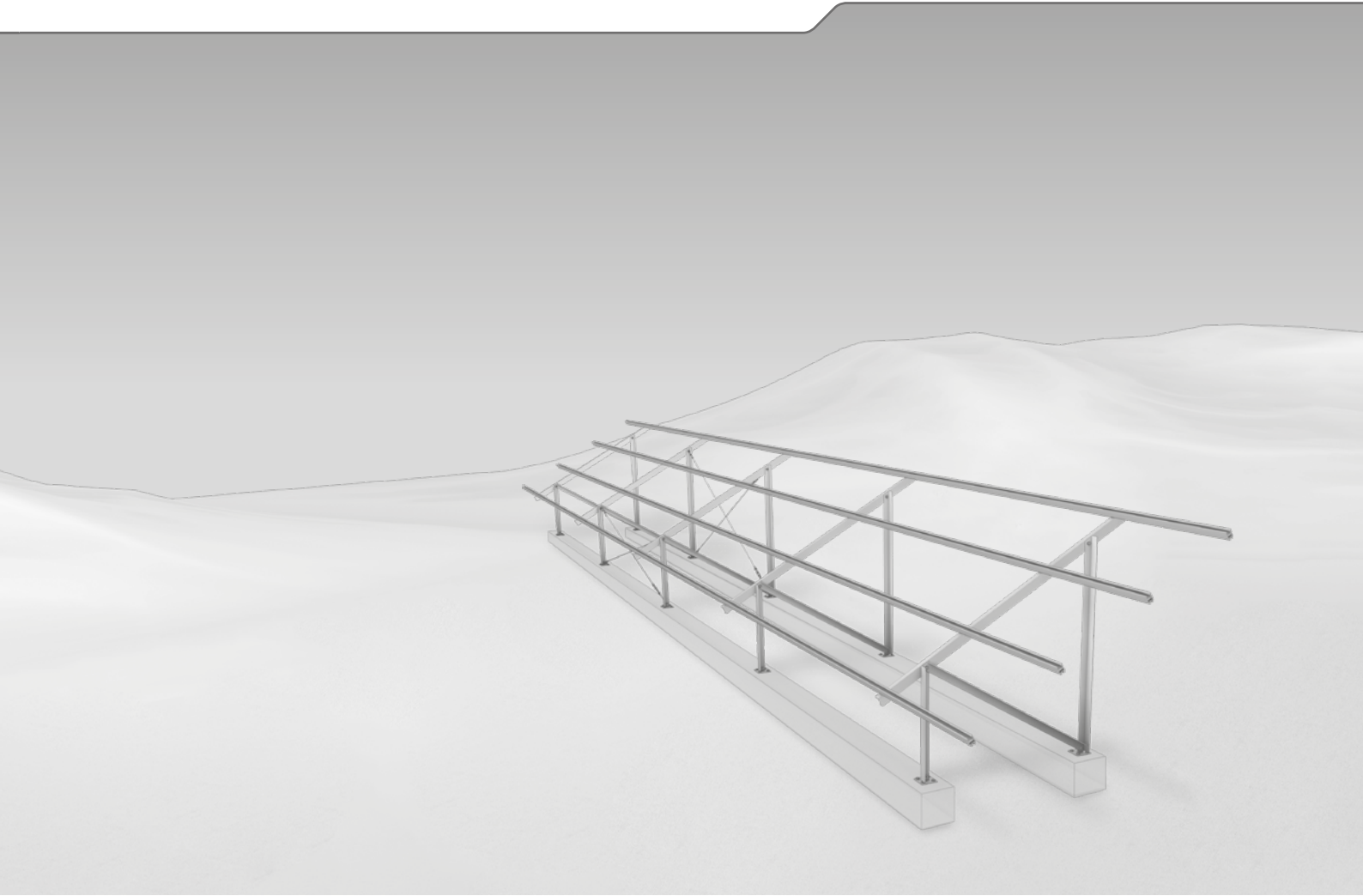


N-Rack System

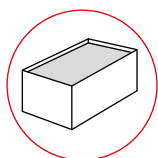
MEDIUM-SIZED INSTALLATIONS WITH CONCRETE FOUNDATIONS



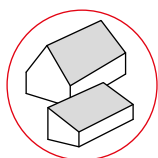
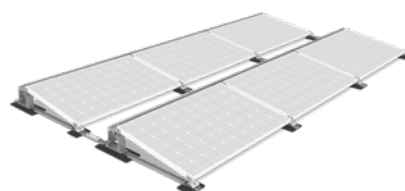
- ▶ Proven individual planning and statics for each system
- ▶ Statically calculated for different European countries – according to Eurocode 9
- ▶ Suitable for challenging gradient ground conditions (offset up to 20°)



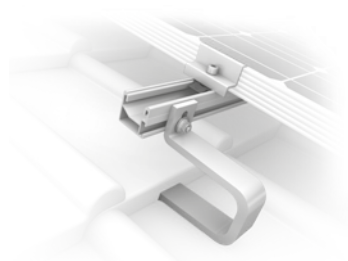
ADDITIONAL K2 APPLICATIONS



▶ Flat roof systems



▶ Pitched roof systems



K2 Systems GmbH

Industriestraße 18
71272 Renningen
Germany

Tel. +49 (0) 7159-42059-0
Fax +49 (0) 7159-42059-177

info@k2-systems.com
www.k2-systems.com